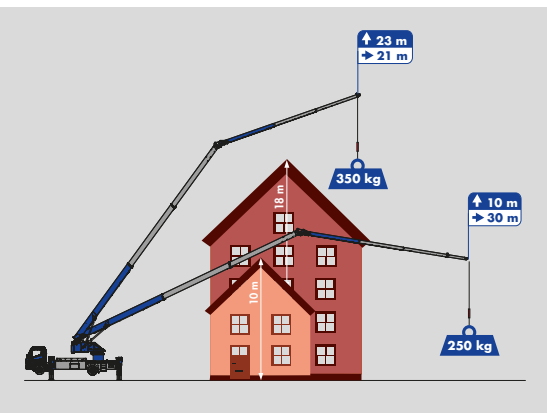


**K700**



Hook height **34.5 m** / Boom length **36.5 m**  
 Max. capacity **3,000 kg**  
 2-fold hydraulic telescopic fly jib

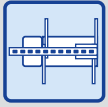


## K700

### Equipment



Klaas Boom system



H-Outriggers



Automatic levelling



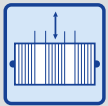
Hydraulic, telescopic fly jib



Twin luffing cylinders



Double derricking cylinders



Telescopic winch



360° continuous rotation



Crane control system



Radio remote control



separator Diesel motor



Full panelling



Personal safety mode



Hybrid drive (opt.)



Battery-powered electric motor (opt.)



Working platform (opt.)



Accessory fix system (opt.)



Mounting-/glass hook (opt.)

### Technical specifications

|                            |                |
|----------------------------|----------------|
| Hook load (stand./opt.)    | 1.6/3.0 t      |
| Hook height                | 34.50 m        |
| Boom length                | 36.50 m        |
| Outrigger width (min.)     | 3.03 m         |
| Outrigger width (max.)     | 5.29 m         |
| Winch capacity             | 1,600 kg       |
| Boom (1,600 kg - 350 kg)   | 5.00 - 11.65 m |
| Extension 3 (250 kg)       | 13.90 m        |
| Truck* Total weight (min.) | ≥ 7.49 t       |

\*depending on truck type

### Working range\*

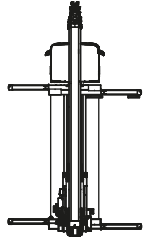
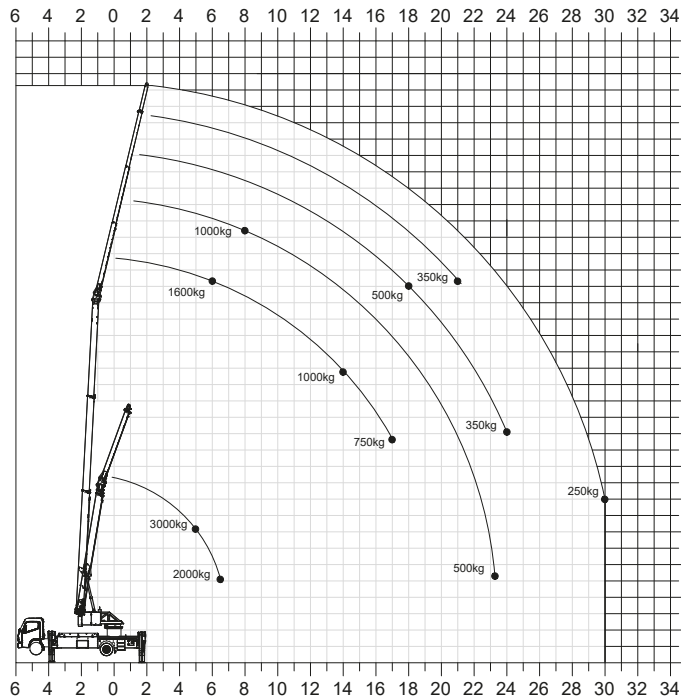
| Load     | Working range | Height  |
|----------|---------------|---------|
| 1,600 kg | 6.00 m        | 23.00 m |
| 1,000 kg | 14.00 m       | 17.50 m |
| 750 kg   | 17.00 m       | 13.50 m |
| 500 kg   | 18.00 m       | 23.00 m |
| 250 kg   | 30.00 m       | 10.00 m |

### Working range 3t Capacity\*\*

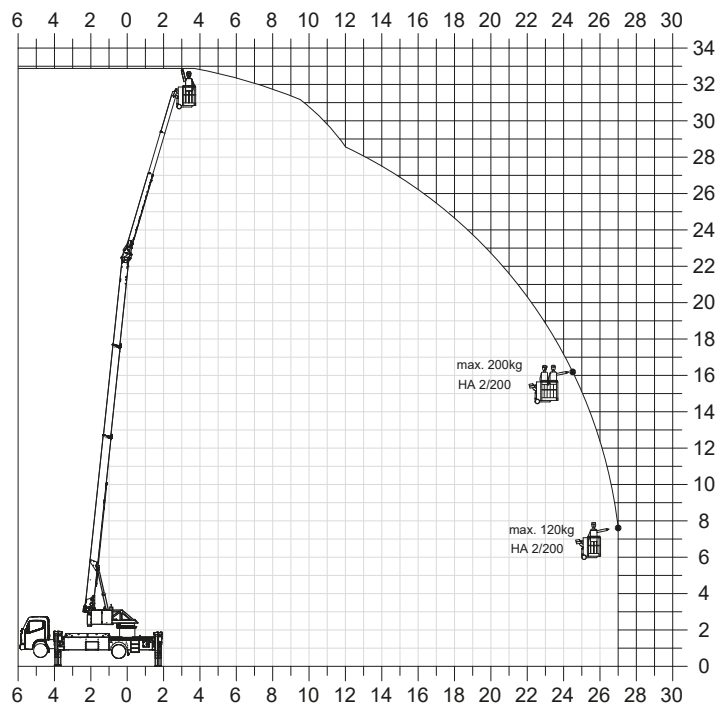
| Load     | Working range | Height |
|----------|---------------|--------|
| 3,000 kg | 5.00 m        | 8.00 m |
| 2,000 kg | 6.50 m        | 5.00 m |

\*\*with 2-fall instead

### Working range diagram\*



### Platform operation\*



\*Working range vary, depending on truck type.

Subject to technical changes. All specifications are approximate and depending on truck type. Changes to the functions and services are reserved. The information reflects the device performance at the time of printing.