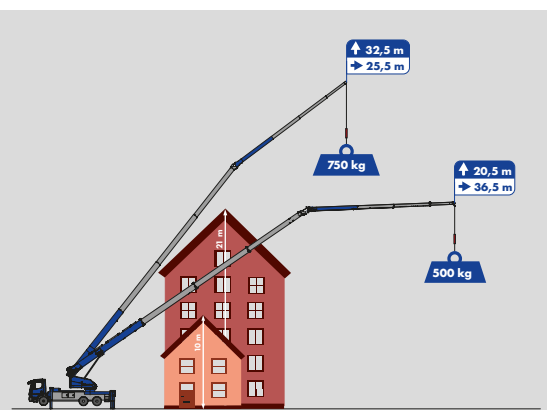
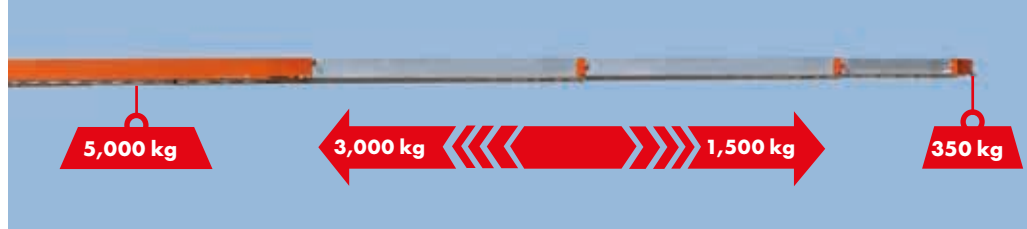


K950



- Hook height 43,5 m / Boom length 45 m
- Hybrid Drive
- Hydraulic telescopic fly jib
- 28 m Working range 1,000 kg



Equipment

-  Klaas Boom System
-  V-Outriggers
-  Automatic levelling
-  Hydraulic telescopic fly jib
-  Twin luffing cylinders
-  Double derricking cylinders
-  Telescopic winch
-  360° continuous rotation
-  Crane control system
-  XL Radio remote control
-  Drive concept
-  Extendable counterweight
-  Full panelling
-  Personal safety mode
-  Working platform (opt.)
-  Accessory fix system (opt.)
-  Mounting-/glass hook (opt.)

Technical specifications

Hook load (stand./opt.)	3.0/5.0 t
Hook height	43.50 m
Boom length	45.00 m
Outrigger width (min.)	3.04 m
Outrigger width (max.)	5.48 m
Winch capacity	3,000 kg
Boom (3,000 kg - 1,500 kg)	5.50 - 12.05 m
Extension 3 (350 kg)	13.78 m
Truck * Total weight (min.)	≥ 16 t

*depending on truck type

Working range*

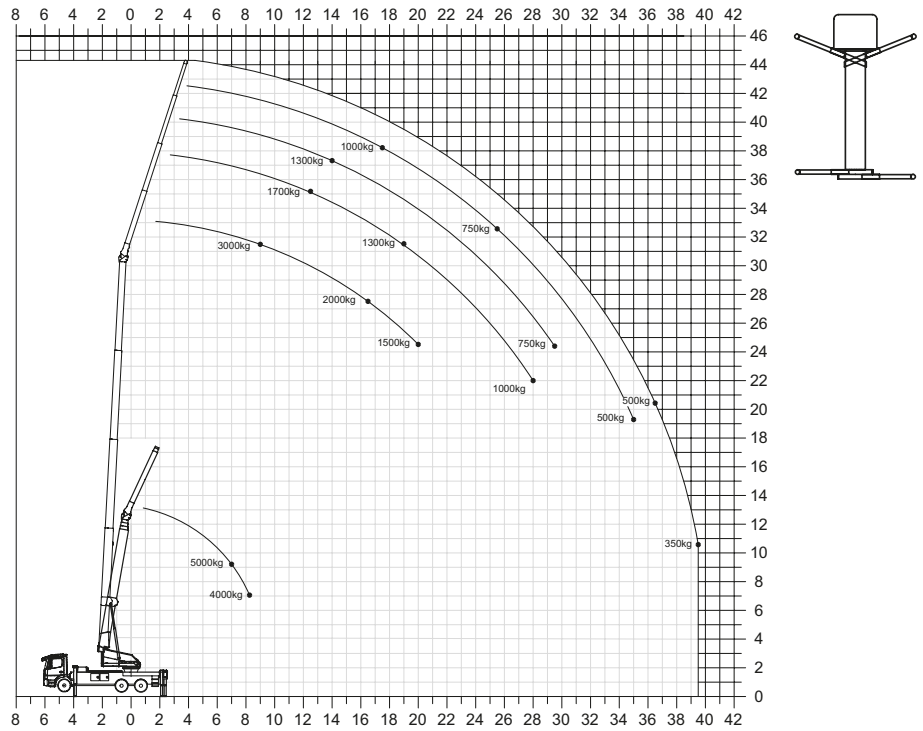
Load	Working range	Height
3,000 kg	9.00 m	31.50 m
2,000 kg	16.50 m	27.50 m
1,000 kg	28.00 m	22.00 m
350 kg	39.50 m	10.50 m

Working range 5 t Capacity**

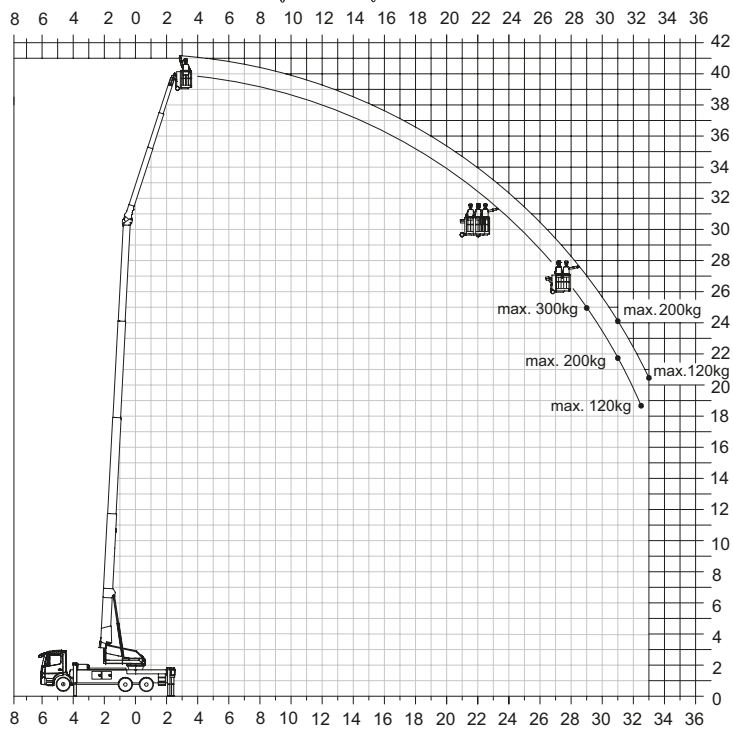
Load	Working range	Height
5,000 kg	7.00 m	9.00 m
4,000 kg	8.20 m	7.00 m

**with 2-fall

Working range diagram*



Platform operation*



*Working range vary, depending on truck type.

Subject to technical changes. All specifications are approximate and depending on truck type. Changes to the functions and services are reserved. The information reflects the device performance at the time of printing.